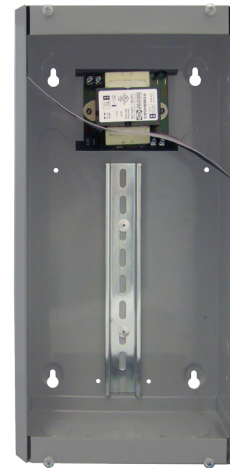
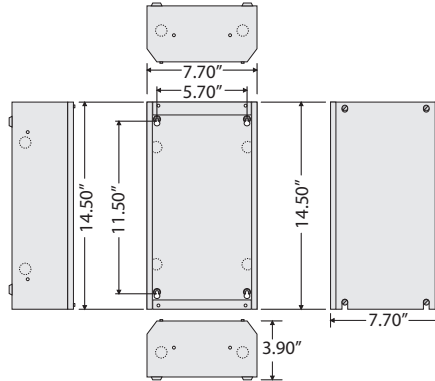
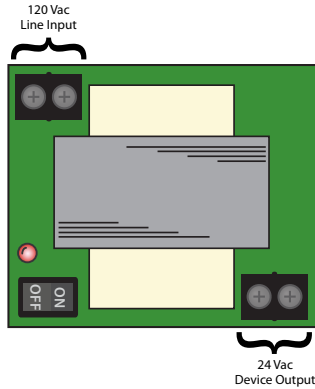


AC POWER SUPPLY

CTRL-PS

Kit Consisting of Model PSMN40AS and a Metal Enclosure



Shown With Cover

SPECIFICATIONS

- Transformer:** One 40 VA
- Primary:** 120 Vac
- Secondary:** 24 Vac, isolated
- Frequency:** 50/60 Hz
- Overload Protection:** Inherently Limited
- Status:** LED On = Activated
- ON/OFF Switch:** 2 Position
- Operating Temperature:** -30 to 140° F
- Humidity Range:** 5 to 95% (noncondensing)
- Approvals:** Class 2 (UL Approved UL5085-3), UL916, C-UL (PSMN40AS), UL916, C-UL (MH1000 Series)
- Dimensions:** 14.50" x 7.70" x 3.90"
- Weight:** 7.28 lbs.
- Housing:** NEMA 1 Metal Enclosure with screw cover

Notes:

- Track mounted power supply may be ordered separately as model PSMN40AS.
- 40 VA power supply mounted in MT212-4 track, high/low voltage barrier and 8.75" of 35 mm top hat DIN rail for mounting of desired controller in one metal enclosure.
- Controller must be 9.50" x 6.75" x 3.50" or smaller with DIN rail mounting capability, or 9.50" x 6.75" x 3.125" without DIN rail mounting capability.
- **Controller not included.**

GREAT FOR ZONE & NETWORK CONTROLLERS

POWER SUPPLIES